



COMMERCIAL  
MOWERS





## IMPROVING LIFE & LAWN CARE

In 1964, Hustler Turf introduced the world's first twin-lever zero-turn lawn mower. Ever since, Hustler Turf has been improving on the original design by implementing a rigorous R&D program to engineer, test, and push the envelope on what was possible with a zero-turn mower for the commercial market.

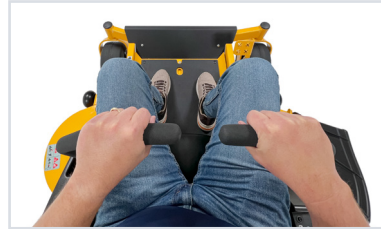
Hustler Turf is a one-stop shop for mowing professionals with sit-downs to stand-ons to walk-behinds, and deck sizes ranging from 34-inches to 104-inches.



# THE HUSTLER<sup>®</sup> ADVANTAGE

## SMOOTHTRAK™ STEERING

Developed over decades of experience. Precision control designed to help trim and maneuver easily around obstacles.



## INTEGRATED PARK BRAKE

Hustler was the first to integrate the parking brake into the twin-lever design. This design was patented for years and continues to be a great safety feature for operators.



## FABRICATED DECKS

Our fabricated welded-steel decks are designed to handle harsh conditions. Heavy-gauge steel and reinforced impact areas help prolong the life of the deck.



## TOUGH FRAMES

Fabricated welded-steel frames, thick front axles and forks with heavy-duty caster yokes help your mower last for years. Our frames are tested for thousands of hours on concrete test tracks with inclines and embankments.



## SIMPLE DESIGN

Who wants something you can't work on yourself? More engineering doesn't always mean more parts or more complexity. Quite the opposite. We engineer our mowers for easy serviceability with flip-up seat pans, removable floor pans, and vented pulley covers.



## PRECISION CUT QUALITY

Our decks are not only tough, but engineered to provide a clean, crisp cut. This comes from decades of learning how the airflow inside the deck stands grass blades up during the cut. The result is an even cut and defined stripes.



# COMMERCIAL MOWERS

---

## OVERVIEW

### MID-MOUNT MOWERS

### STAND-ON

### WALKBEHIND

---

FASTRAK®

---

FASTRAK® SDX

---

X-ONE®

---

SUPER Z®

---

HYPERDRIVE®

---

DIESEL Z

---

SUPER 104

---

SURFER PRO

---

SUPER S®

---

SUPER SF

---

TRIMSTAR®

## OTHER PRODUCTS AVAILABLE

---

### RESIDENTIAL MOWERS

### GENERATORS AND INVERTERS

### PRESSURE WASHERS



Available on the following mowers:

HYPERDRIVE  
SUPER 104

## HYPERDRIVE SYSTEM

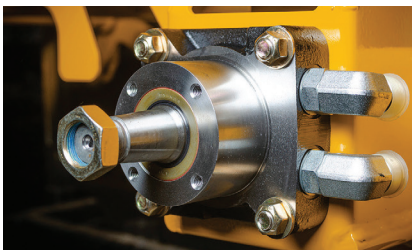
Reducing the temperature of the oil in your wheel motors is key to extending the life of your hydraulic system. Hustler's exclusive HyperDrive system helps do just that with temperature regulation and tough components designed to keep your mower at peak performance. Featuring a 5-year / 3,000-hour limited warranty\*\* on the hydraulic system (warranty available on the HyperDrive mower only).



9" Fan & High Capacity Oil Cooler with Hot Oil Shuttle



Large Oil Reservoir



Parker Wheel Motors



Industrial-Grade Slipper Piston Pumps



Warranty available on HyperDrive mower only

# VX™ DECK TECHNOLOGY

The Hustler VX Deck is engineered for extreme vacuum. The deck is designed to draw grass and leaves up into the mower blades helping achieve a consistent cut.

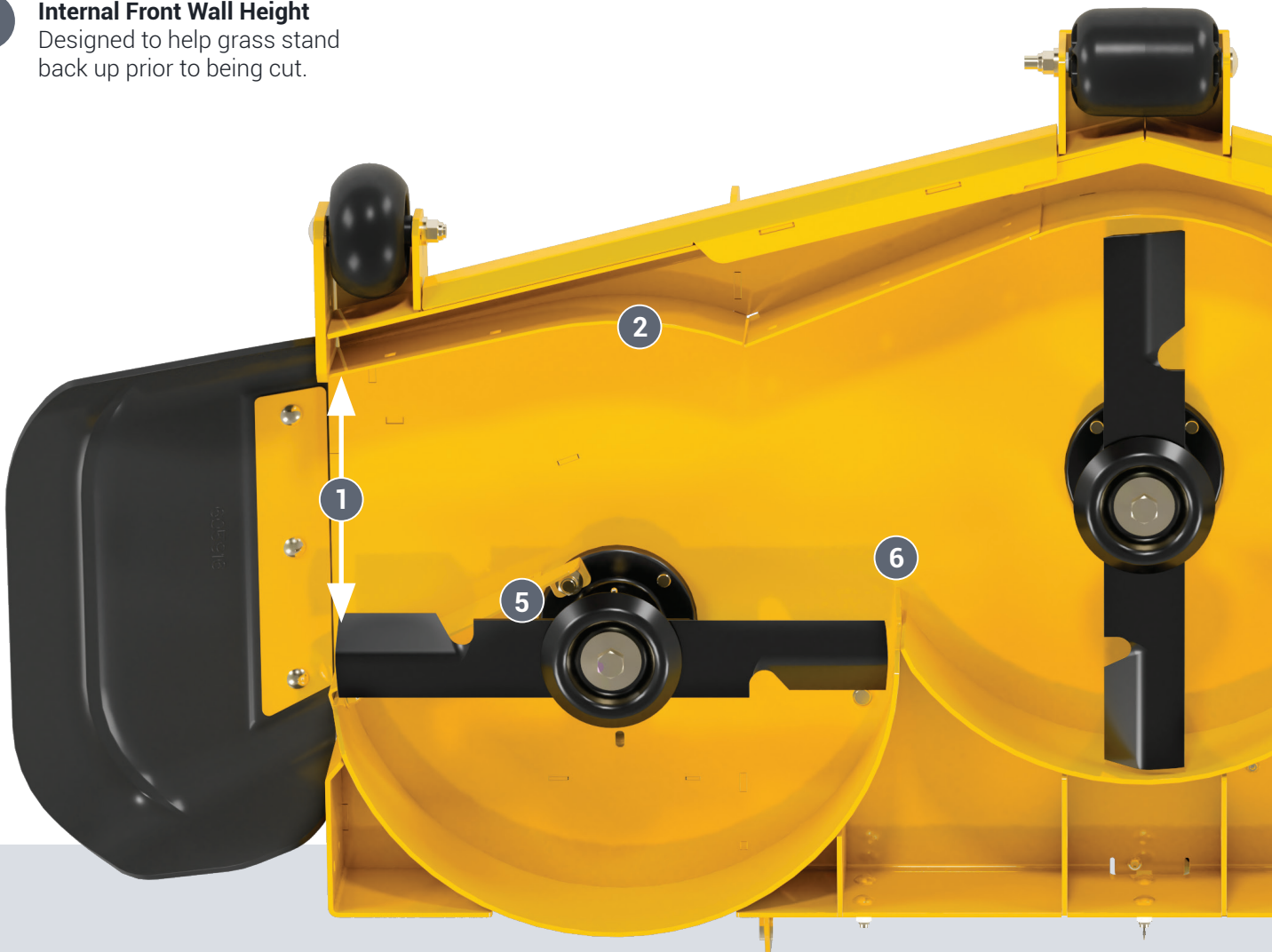
## Available on the following mowers:

X-ONE      Super Z  
SUPER S      HyperDrive  
SUPER SF

- 1 Front Wall to Blade Distance**  
Opened to allow for adequate grass throughput and aid in providing even clipping dispersal.

- 3 Full Width Air Channel**  
Open across the entire front deck, designed to allow crossflow in front of the cutting chamber to aid vacuum across the width of the deck.

- 2 Internal Front Wall Height**  
Designed to help grass stand back up prior to being cut.



**4 Anti-scalp Wheels**  
Located outside the deck to help keep the air channel unobstructed.

**5 "Cut-off" Baffle**  
Designed to help throughput and balance of airflow through the deck.

**6 "Sharp" Wrapper Intersections**  
Help minimize air flow across the back of the deck.

**7 High Sail Blades**  
Helps generate lift.

**8 Front of the Deck**  
11 ga. bull nose/ramp.



**9 Blade Bolt Protectors**  
Helps protect the bolts from being sheared off from uneven ground or hard debris.

**10 7 ga. Deckplate with 7 ga. Stamped Spindle Mounts**  
Designed for durability and long life in sandy conditions.



# VX4® DECK TECHNOLOGY

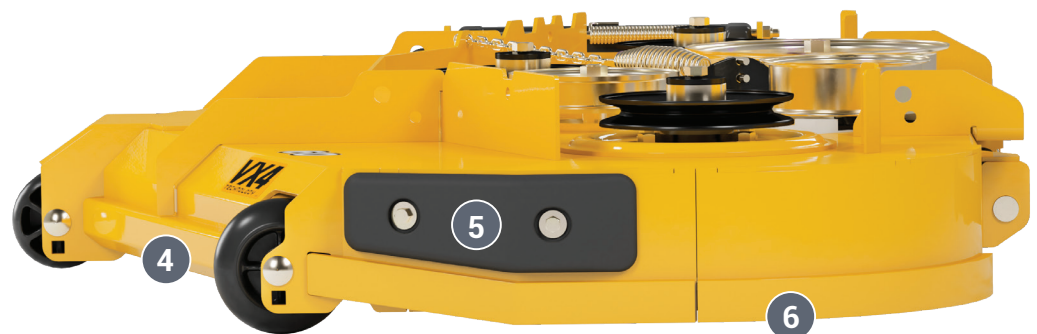
The VX4 Deck combines four performance features to help provide a quick, clean, and professional looking cut: Versatility, Velocity, Vacuum and Volume. The combination allows professionals to move grass through the deck efficiently and consistently.

Available on the following mowers:

Super Z  
HyperDrive  
Diesel Z

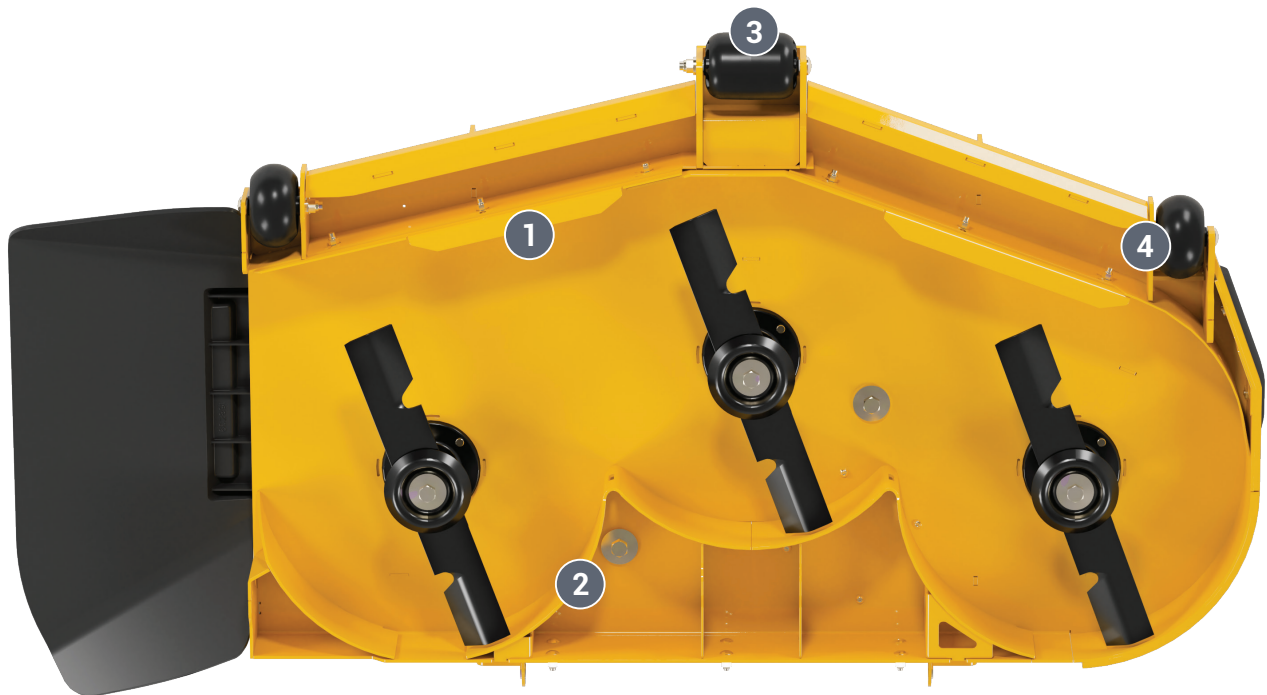
## DECK FEATURES

- 1 Formed Discharge Stiffener**  
For rigidity to help movement at the discharge opening.
- 2 Deckplate Reinforcement**  
7 ga. steel along the top of the deck is engineered to provide continuous support from front to back and to help prevent the deck from bending.
- 3 Stamped Deck Doublers**  
Stamped 7 ga. steel around the spindle mount areas creates a 3.8" total thickness designed to support the spindle and add strength to the deck.



- 4 Formed Bump Bar**  
Angled contact surface formed and engineered to help protect the deck by deflecting impacts.
- 5 Wear Guard**  
Poly replaceable wear plate helps protect deck trim edge and obstacles from damage.
- 6 Deck Guards**  
 $\frac{3}{8}$ " thick guard helps protect the integrity of the deck from side impacts.





## UNDERSIDE OF DECK FEATURES

---

- 1 Adjustable Front Baffle**  
Allows for adjusting the deck according to mowing season and grass type for a precise cut.
- 2 Deck Wrappers**  
7 ga. deck wrappers help fortify the deckplate.
- 3 Front Anti-Scalp Wheel**  
Anti-scalp wheels with internal bushings help protect turf from scalping damage or uneven terrain.
- 4 Heavy Gauge Mounts**  
 $\frac{3}{8}$ " guard helps protect the integrity of the deck from side impacts.

## SPINDLE IMPROVEMENTS

### Debris Shield

Designed to protect the top bearing from water, dirt, and debris.

### Relief Fitting

Designed to protect seals from overpressure when filling with grease.

### Ductile Cast Iron Housing

Helps provide protection for the spindles.

### Grease Zerk

Easy access to grease the spindles.

### Blade Bolt Protectors

Designed to protect the bolts from being sheared off from uneven ground or hard debris.

# FASTRAK

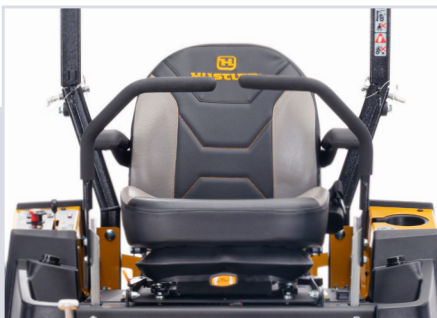
Engine	Deck Sizes Available
22HP* - Kawasaki® FT691	48", 54", 54" RD
24HP* - Kawasaki FT730	60"

RD = Rear Discharge

✓ 4yr / 750hr limited warranty\*\*



Standard Dual USB Port



**High-back Suspension Seat**  
High-back seat with suspension to help shield the operator from bumps and EVC cushion designed to help take pressure off the tailbone and lower back.



**Commercial-Grade Kawasaki® FT Engine**  
With Vortical Air Filtration. Cleans debris to help extend engine life.



**Dual Roto-Molded Fuel Tanks**  
8.5 gallon fuel capacity and dual fuel gauges.

\*As rated by the engine manufacturer

\*\*See owner's manual for warranty details and information. Certain restrictions apply.

# UPGRADES FOUND ON THE **FASTRAK** **SDX**

*Compared to FasTrak*

Engine	Decks Sizes Available
22HP* - Kawasaki FX691	48", 54"
23.5HP* - Kawasaki FX730	60"

- ✓ **Extra High-Back Suspension Seat**  
Higher backrest and more bolstered back cushion
- ✓ **Kawasaki® FX Engine**  
Full commercial remote canister air cleaner
- ✓ **Larger Transmissions**  
Hydro-Gear® ZT-3400™
- ✓ **More Warranty Coverage**  
4yr/1000hr compared to 4yr/750hr limited warranty\*\*



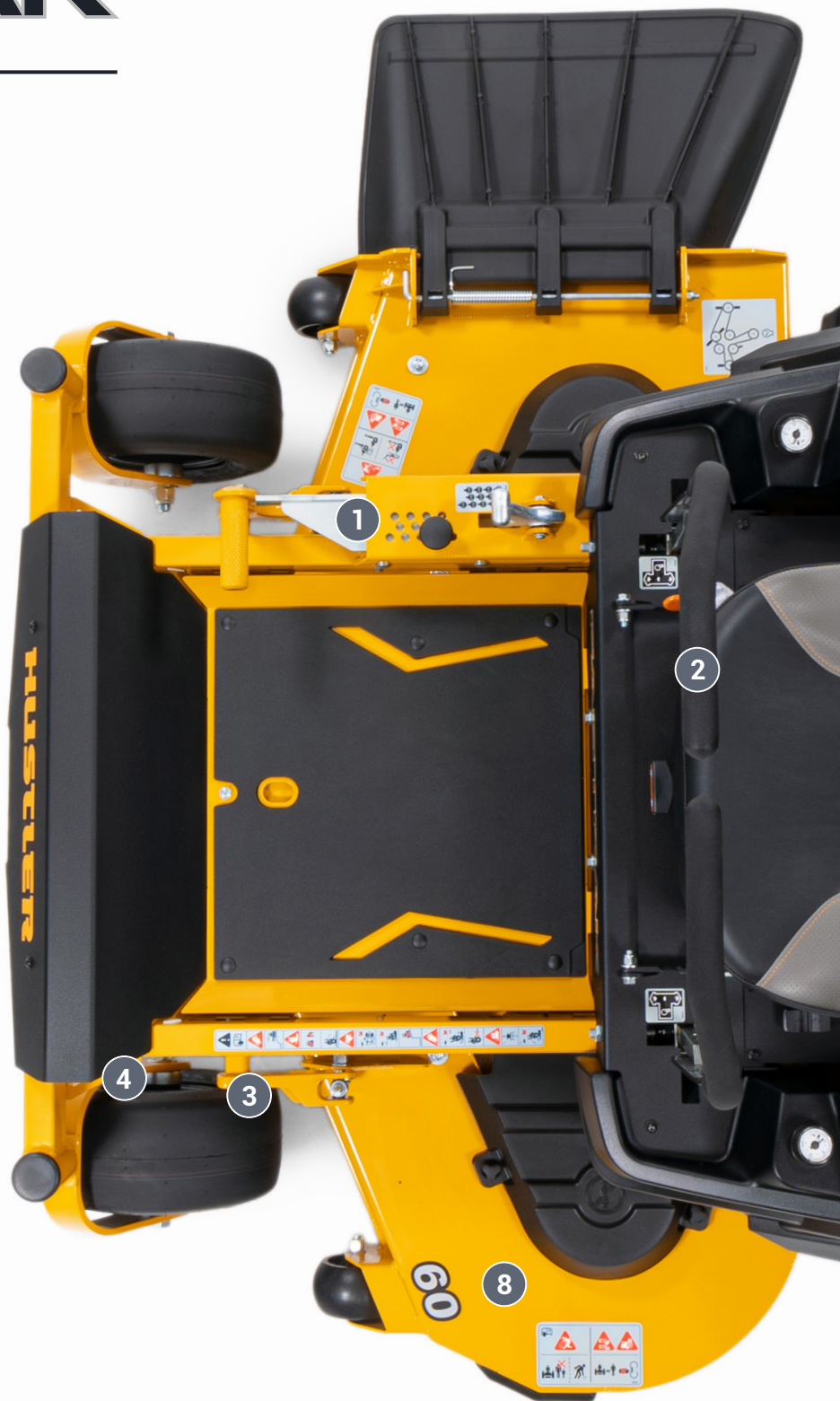
\*As rated by the engine manufacturer

\*\*See owner's manual for warranty details and information. Certain restrictions apply.

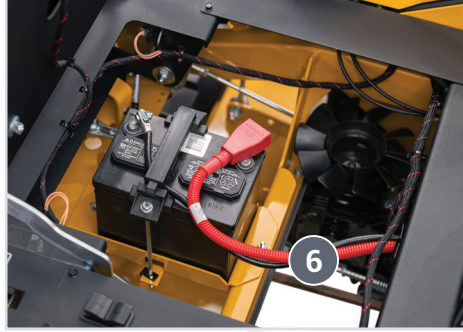
# FASTRAK SERIES

## FASTRAK & FASTRAK SDX SHARED FEATURES

- 1 Magnetic Top Pin Deck Lift System**  
Adjust the deck height between 1.5" -4.5" with your foot.
- 2 SmoothTrak™ Steering**  
Precision control designed to help trim and maneuver easily around obstacles.
- 3 Cast Deck Hangers**  
Designed to help improve durability.



- 4 Front and Rear Tie Downs**  
1.5" x 3" tubular steel fabricated frame with front and rear tie downs.



**5 Easy Serviceability**  
Flip-up seat pan, removable floor pan, and toolless removable pulley covers to make maintenance easy and simple.

**6 Less Clutter Under Seat**  
Provides airflow aiding in keeping transmissions cooler.

**7 Transmissions**  
Serviceable Hydro-Gear® Transmissions.

**8 Welded Steel Deck**  
10 ga. welded fabricated steel.

**9 BigBite™ Tires**  
Excellent traction designed not to tear up turf. We worked directly with the tire manufacturer on this product.

# X-ONE

Engine	Deck Sizes Available
27HP* - Kawasaki® FX850	52", 60", 60" RD, 72"

RD = Rear Discharge



✓ 5yr / 1200hr limited warranty\*\*  
(First 2 years no hour limit)



## VX™ Deck

Fabricated 7 ga. steel engineered for extreme vacuum to deliver an excellent after cut appearance.



## 13M™ Suspension Seat

High-back seat with adjustable armrests and 3-inch travel range.



## Commercial-Grade Engines

Kawasaki® FX engine backed by 3-year limited warranties\*\*.

\*As rated by the engine manufacturer

\*\*See owner's manual for warranty details and information. Certain restrictions apply.

# X-ONE



1

**Fabricated Frame**  
1.5" x 3.0" steel single piece fabricated frame.

2

**SmoothTrak™ Steering**  
Precision control to help trim and maneuver easily around obstacles.

3

**Foot Operated Deck Lift**  
Easily adjust the deck height between 1" - 5.5" with your foot.

4

**VX Deck**  
Fabricated 7 ga. steel engineered for extreme vacuum for performance and cut quality.

5

**Commercial-Grade Torque**  
Hydro-Gear ZT-4400™.

6

**I3M™ Seat**  
High-back seat with adjustable armrests and 3-inch suspension travel range.

# SUPER Z

Engine	Deck Sizes Available
35HP* - Kawasaki FX1000	60", 60" RD & 72"

RD = Rear Discharge



✓ 5yr / 1200hr limited warranty\*\*  
(First 2 years no hour limit)



**Commercial-Grade Torque**  
Hydro-Gear 21cc PY pumps  
and Parker TG wheel motors.



**Heavy-Duty Hydraulics**  
with 3 gal. oil reservoir, oil cooler  
w/ fan & hot oil shuttle.



**Kawasaki Engine**  
35HP FX1000

\*As rated by the engine manufacturer

\*\*See owner's manual for warranty details and information. Certain restrictions apply.



# SUPER Z



**1** **VX4® Deck**  
Fabricated 7 ga. steel deck engineered to help move grass at high speed while maintaining cut-quality.

**2** **Foot Operated Deck Lift**  
Easily adjust the deck height between 1" - 5.5" with your foot.

**3** **I3M™ Suspension Seat**  
High-back seat with adjustable armrests and 3-inch travel range.

**4** **SmoothTrak™ Steering**  
Precision control to help trim and maneuver easily around obstacles.

**5** **Large Fuel Capacity**  
Dual fuel tank w/ 12 gallon total fuel capacity.

**6** **Easy Serviceability**  
Flip-up seat pan, removable floor pan, and vented pulley covers for easy and simple maintenance.

# HYPERDRIVE

HUSTLER EXCLUSIVE 

Engine	Deck Sizes Available
40HP* - Vanguard® BigBlock EFI w/ Oil Guard	60", 72"
38.5HP* - Kawasaki FX1000 EFI	60", 60 RD", 66", 72", 72" RD

RD = Rear Discharge



- ✓ 5yr / 1200hr limited warranty\*\*  
(First 2 years no hour limit)



**5** YEAR | **3000** HOUR  
PUMPS  
AND  
MOTORS  
LIMITED WARRANTY\*\*



**HyperDrive® Hydro System**  
Features industrial-grade pumps and motors to handle tough jobs and long days.



**Optional Vanguard® Big Block™ Engine w/ Oil Guard**  
500 hour oil change.



**Industrial-Grade Slipper Piston Pumps**  
These kinds of pumps are typically found on larger equipment like skid steers.

\*As rated by the engine manufacturer

\*\*See owner's manual for warranty details and information. Certain restrictions apply.

# HYPERDRIVE



1

## SmoothTrak™ Steering

Precision control designed to help trim and maneuver easily around obstacles.

2

## Foot Operated Deck Lift

Easily adjust the deck height between 1" - 5.5" with your foot.

3

## I3M™ Suspension Seat With Upholstered Armrests

High-back seat with adjustable armrests and 3-inch travel range.

4

## Ample Torque

Danfoss DDC-20 pumps and Parker TG wheel motors.

5

## VX4® Deck

Fabricated 7 ga. steel deck engineered to help move grass at high speed while maintaining cut-quality.

6

## Easy Serviceability

Flip-up seat pan, removable floor pan, and vented pulley covers for easy and simple maintenance.

# DIESEL Z

Engine	Deck Sizes Available
25HP* - Perkins®	60" RD, 60", 72", 72" RD

RD = Rear Discharge



✓ 5yr / 1200hr limited warranty\*\*  
(First 2 years no hour limit)



**Service Access**  
Removable back cover for maintenance access.



**I3M™ Suspension Seat**  
High-back seat with adjustable armrests and 3-inch travel range.



**Patented Belt Drive System**  
Helps provide long-life to the machine.

\*As rated by the engine manufacturer

\*\*See owner's manual for warranty details and information. Certain restrictions apply.

# DIESEL Z

**1** **Formed Bump Bar**  
Angled contact surface formed and engineered to protect the deck by deflecting impacts.

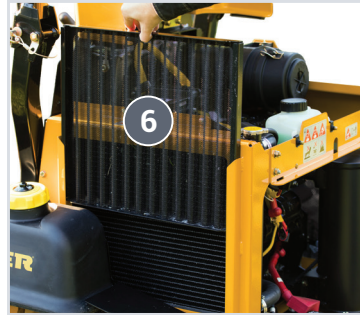
**2** **Reinforced Edge**  
1.5" x .375" steel bar.

**3** **14.4 US Gallon Fuel Capacity**

**4** **VX4® Deck**  
Fabricated 7 ga. steel deck engineered to help move grass at high speed while maintaining cut-quality.

**5** **Top Access**  
Top hatch opens for access to service points.

**6** **Filter Access**  
Easy access to slide out filter.



# SUPER 104

HUSTLER EXCLUSIVE 

Engine	Deck Sizes Available
40HP* - Vanguard® BigBlock EFI w/ Oil Guard	104" RD
38.5HP* - Kawasaki® FX1000 EFI	104" RD

RD = Rear Discharge



- ✓ 5yr / 1200hr limited warranty\*\*  
(First 2 years no hour limit)



**HyperDrive® Hydro System**  
Features industrial-grade pumps and motors to handle tough jobs and long days.



**104" Width of Cut**  
Widest zero-turn available from Hustler Turf.



**80" Transport Width**  
Fits most trailers making it easy to transport from job-to-job.

\*As rated by the engine manufacturer

\*\*See owner's manual for warranty details and information. Certain restrictions apply.

# SUPER 104

1

**HyperDrive® Hydro System**  
Features industrial-grade pumps and motors to handle tough jobs and long days.

2

**SmoothTrak™ Steering**  
Precision control designed to help trim and maneuver easily around obstacles.

3

**Hydraulic Deck Height Adjustment**  
Raising and lowering your cutting height is easy.

4

**I3M Suspension Seat**  
High-back seat with adjustable armrests and 3-inch travel range.

5

**Commercial-Grade Engines**  
Vanguard Big Block™ EFI with Oil Guard, Kawasaki FX1000 EFI engine options.

6

**Hydraulic Wings**  
Easily raise and lower wings for transporting.



**80" Transport Width**  
Fits most trailers making it easy to transport from job-to-job.

**104" Width of Cut**  
Widest zero-turn available from Hustler Turf.

# SURFER PRO

Engine	Deck Sizes Available
15HP* - Kawasaki® FS541	34", 48"

- ✓ 3yr / 300hr residential limited warranty\*\*  
or 2yr / 300hr commercial limited warranty\*\*



**Kawasaki FS Engine**  
15hp\* Commercial FS541  
V-Twin Engine.



**Fabricated Deck**  
Heavy duty construction.



**Ideal for Commercial Contractors  
and Homeowners**  
For tight spaces and fenced  
backyards with gates.

\*As rated by the engine manufacturer

\*\*See owner's manual for warranty details and information. Certain restrictions apply.

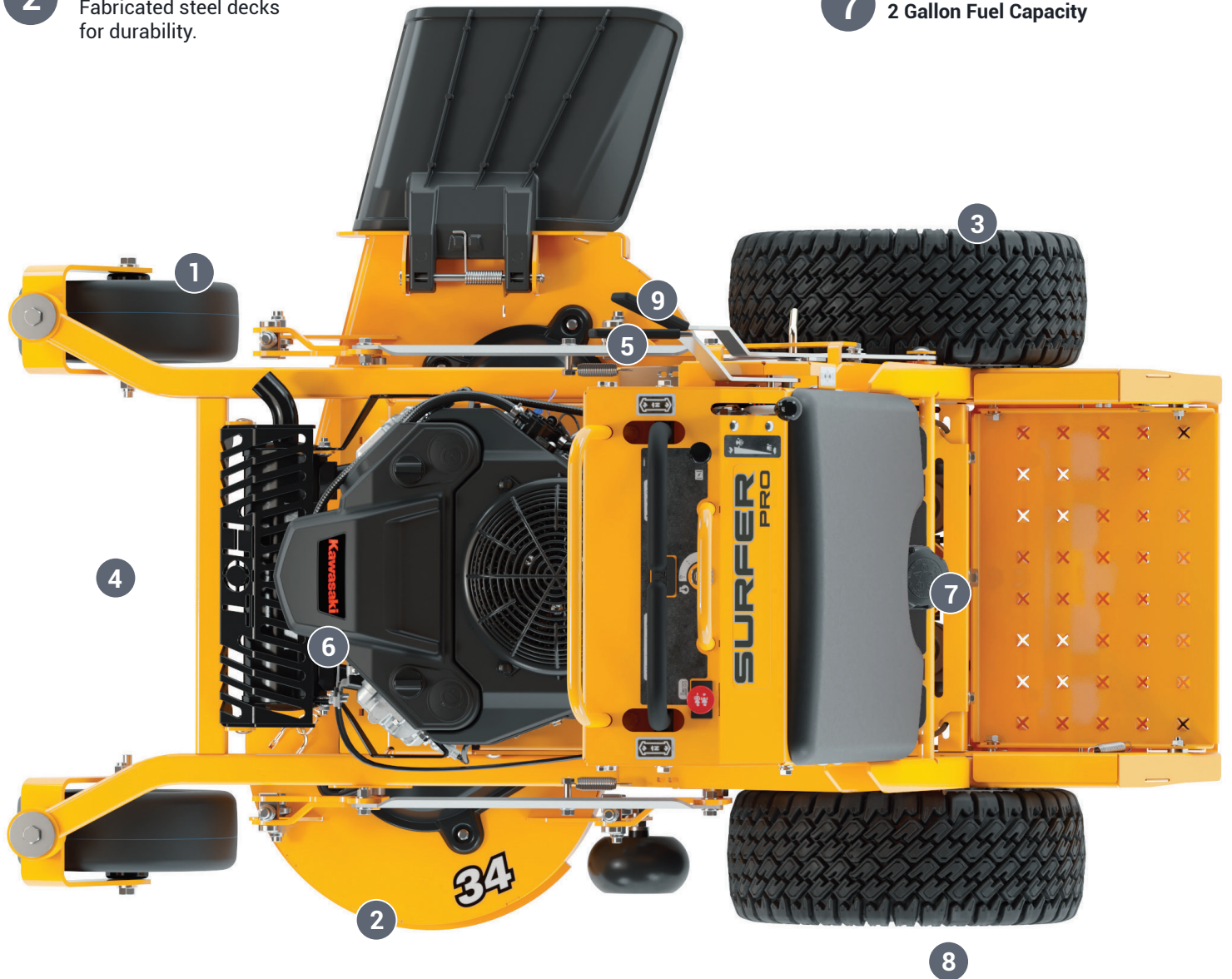


# SURFER PRO

**1** Semi Pneumatic Front Tires  
11" front tires.

**2** 34" & 48" Decks  
Fabricated steel decks for durability.

**7** 2 Gallon Fuel Capacity



**3** 18" Drive Tires  
Helps provide stability and traction.

**5** Park Brake  
Hand operated lever to set the park brake.

**8** Hydro-Gear ZT-1800®  
Transmissions

**4** Small Footprint  
Just 59" in length for easy storage and trailering.

**6** Kawasaki FS541 Engine  
15hp\*

**9** Cut Height Adjustment  
Hand operated lever and pin to easily adjust deck/cutting height.

# SUPER S

Engine	Deck Sizes Available
19HP* - Kawasaki FX600	36"
22HP* - Kawasaki FX691	48"
27HP* - Kawasaki FX850	52"



- ✓ 5yr / 1200hr limited warranty\*\*  
(First 2 years no hour limit)



**Compact Stance**  
Perfect for tight spaces and  
trailing from job-to-job.



**VX Deck**  
Fabricated 7 ga. steel deck,  
engineered for extreme vacuum  
performance and cut quality.



**SmoothTrak™ Steering**  
Precision control designed to  
help trim and maneuver easily  
around obstacles.

\*As rated by the engine manufacturer

\*\*See owner's manual for warranty details and information. Certain restrictions apply.

# SUPER S

**1 Pulley Covers**  
Toolless removable pulley covers for easy maintenance.

**2 Park Brake**  
Hand operated lever to set the park brake.

**7 24" Rear Drive Tires**  
For superior traction. (48", 52")



**3 Cut Height Adjustment**  
Hand operated lever and pin to adjust deck/cutting height.

**5 Adjustable Foot Platform**  
Spring loaded suspension platform designed for all-day comfort.

**4 Wide Operator Platform**  
For mowing comfort and operator stability.

**6 Service Friendly Design**  
Designed to make maintenance and service fast and easy.

**8 Adjustable Speed Controls**  
Allows you to go at your own pace for control. Also helps with training new operators.

# SUPER SF

Engine	Deck Sizes Available
38.5HP* - Kawasaki® FX1000 EFI	60"

RD = Rear Discharge



✓ 5yr / 1200hr limited warranty\*\*  
(First 2 years no hour limit)

» Up to 15mph top speed



**Strong Hydraulics**  
Hydro-Gear® 21cc pumps and  
Parker TG wheel motors



**VX Deck**  
Fabricated 7 ga. steel deck,  
engineered for extreme  
vacuum performance  
and cut quality.



**Dual Fuel Tanks**  
13.9" gal fuel capacity

\*As rated by the engine manufacturer

\*\*See owner's manual for warranty details and information. Certain restrictions apply.

**1** Semi Pneumatic Front Tires  
13" front tires.

**2** 60" VX Deck  
7 ga. deckplate with 7 ga.  
stamped spindle mounts and  
11 ga. bull nose leading edge.

**7** Large Rear Tires  
26" x 12" rear tires help  
with stability and traction.



**3** Electric Actuator Deck Lift  
Easily adjust your cutting  
height from 2.0" to 5.5".

**5** Kawasaki FX EFI  
38.5 hp\*.

**4** Hydro Oil Cooler  
8" fan and 6-quart  
reservoir capacity.

**6** Service Friendly Design  
Designed to make maintenance  
and service fast and easy.

**8** Speed Control Bar Adjustment  
Up to 15 mph with reduced  
speed up to 10 mph.

# TRIMSTAR

Engine	Deck Sizes Available
15HP* - Kawasaki® FS541 (Electric Start)	36"
18.5HP* - Kawasaki FS600 (Electric Start)	48"
22HP* - Kawasaki FS651 (Electric Start)	54"
23HP* - Kawasaki FS691 (Electric Start)	60"

- ✓ 5yr / 1200hr limited warranty\*\*  
(First 2 years no hour limit)



## Welded Steel Deck

10 ga. plus 11 ga. reinforced steel with 11 ga. formed channel rolled edge. (36 in. deck is 7 ga. plus 7 ga. reinforced steel)

## Dual Hydro System

Hydro-Gear ZT-2800® transmissions aid in traction and performance.

## Compact Stance

Ideal for tight spaces and for trailering from job-to-job.

\*As rated by the engine manufacturer

\*\*See owner's manual for warranty details and information. Certain restrictions apply.

# TRIMSTAR



**1 H-Bar® Steering**  
Patented, H-Bar Steering, is easy-to-use, designed to minimize operator fatigue and aid in training new operators.

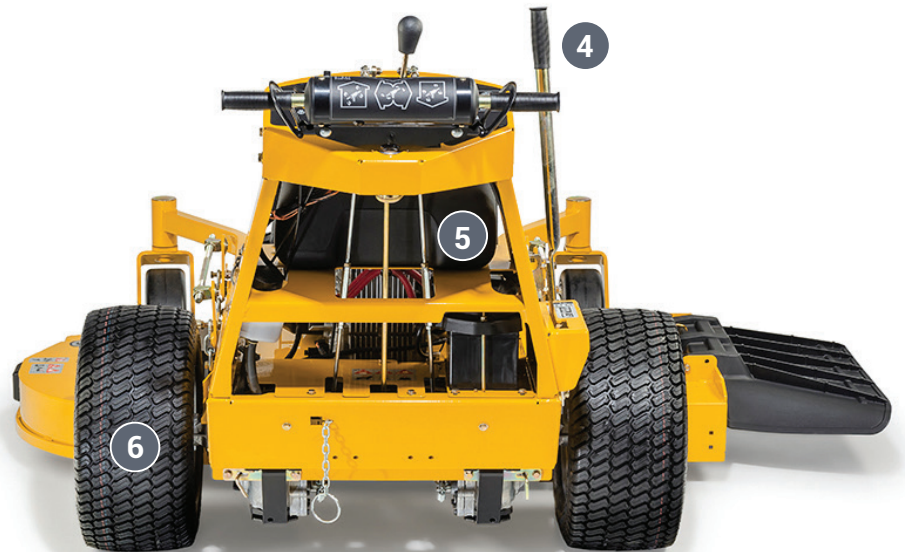
**2 SmoothTrak™ Steering**  
Precision control designed to help trim and maneuver easily around obstacles.

**3 3.4 US Gallon Fuel Capacity**

**4 Deck Lift**  
Easy-to-operate deck lift makes deck height adjustment a breeze.

**5 Service Friendly Design**  
Designed to make maintenance and service simple and easy.

**6 20" Drive Tires**



# ACCESSORIES & OTHER PRODUCTS (each sold separately)



## 2-BAG POWERED BAGGER

Bagger has a 7.2-bushel capacity. Available on FasTrak® and FasTrak® SDX.



## 3-BAG POWERED BAGGER

Bagger has a 12-bushel capacity. Available on X-ONE®, Super Z®, and HyperDrive®.



## STEEL SIDE BAGGER

Bagger has a 3.5-bushel capacity. Available on FasTrak, FasTrak SDX, X-ONE, Super S®, and TrimStar®.



## MESH SIDE BAGGER

Bagger has a 3-bushel capacity. Available on FasTrak, FasTrak SDX, X-ONE, Super S, and TrimStar.



## BACVAC

Electric actuated DFS bagger system. The BACVAC has a 10-bushel capacity. Available on X-ONE, Super Z, and HyperDrive.



## MICHELIN® X® TWEEL® TURF

Airless radial tires designed to help minimize downtime caused by flat tires and unseated beads. Available on X-ONE, Super Z, HyperDrive, and Diesel Z.





### **FLEX FORKS®**

Designed to provide operator comfort and an even cut, especially over uneven terrain or at high speeds.



### **MULCH KIT**

Recycles clippings back into the soil to reclaim nutrients for your lawn.



### **STEERING EXTENSION KIT**

Allows for height adjustment of steering levers to help make your mowing experience as comfortable as possible.



### **LIGHT KIT**

Help extend productivity into late hours. Kit contains two high-quality 12-volt lights with a switch that mounts in the instrument panel.



### **STRIPE KIT**

Helps provide a professional, manicured finish to your lawn. Depending on the mower, rubber flap or steel cylinder options are available.



### **SEMI-PNEUMATIC TIRES**

Designed to help protect against flat tires.

# COMPARISON

## FASTRAK<sup>®</sup>



## FASTRAK<sup>®</sup> SDX



## X-ONE<sup>®</sup>



<b>CUTTING WIDTHS</b>	48", 54" & 60" Side-discharge 54" Rear-discharge	48", 54" & 60" Side-discharge	52", 60" & 72" Side-discharge 60" Rear-discharge
<b>ENGINE CONFIGURATIONS</b>	<b>Kawasaki</b> <sup>®</sup> 22hp* FT691 24hp* FT730	<b>Kawasaki</b> 22hp* FX691 23.5hp* FX730	<b>Kawasaki</b> 27hp* FX850
<b>DECK HEIGHT</b>	Foot-operated. 1.5" to 4.5" (1/4" increments)	Foot-operated. 1.5" to 4.5" (1/4" increments)	Foot-operated. 1" to 5.5" (1/4" increments)
<b>DRIVE SYSTEM</b>	Commercial-duty Hydro-Gear ZT-3200 <sup>®</sup> . Serviceable w/ spin-on filters.	Commercial-duty Hydro-Gear ZT-3400 <sup>®</sup> . Serviceable w/ spin-on filters.	Hydro-Gear ZT-4400
<b>SPEED (FWD)</b>	Up to 10 mph	Up to 10 mph	Up to 12 mph
<b>FUEL CAPACITY</b>	8.5 US gallons	8.5 US gallons	Dual fuel tank with 12 US gallon total capacity.
<b>ACCESSORIES</b>	<ul style="list-style-type: none"> <li>▶ Mulch kit</li> <li>▶ Dump From Seat bagger (8 bushels)</li> <li>▶ Grass bagger (2-bag powered 7.2 bushels)</li> <li>▶ Mesh side bagger (3 bushels)</li> <li>▶ Steel side bagger (3.5 bushels)</li> <li>▶ Steering lever extension kit</li> <li>▶ FlexForks<sup>®</sup></li> <li>▶ Light kit</li> <li>▶ Stripe kit</li> <li>▶ High vacuum kit</li> </ul>	<ul style="list-style-type: none"> <li>▶ Mulch kit</li> <li>▶ Dump From Seat bagger (8 bushels)</li> <li>▶ Grass bagger (2-bag powered 7.2 bushels)</li> <li>▶ Mesh side bagger (3 bushels)</li> <li>▶ Steel side bagger (3.5 bushels)</li> <li>▶ Steering lever extension kit</li> <li>▶ FlexForks<sup>®</sup></li> <li>▶ Light kit</li> <li>▶ Stripe kit</li> <li>▶ High vacuum kit</li> </ul>	<ul style="list-style-type: none"> <li>▶ Semi pneumatic front tires</li> <li>▶ Steering lever extension kit</li> <li>▶ Deck rear anti-scalp wheels</li> <li>▶ 3-bag powered bagger (12 bushels)</li> <li>▶ BacVac bagger (10 bushels)</li> <li>▶ Mesh side bagger (3 bushels)</li> <li>▶ Steel side bagger (3.5 bushels)</li> <li>▶ Flex Forks<sup>®</sup></li> <li>▶ Mulch kit</li> <li>▶ Light kit</li> <li>▶ Stripe kit</li> <li>▶ Electric deck lift</li> <li>▶ Hitch kit</li> <li>▶ Michelin<sup>®</sup> X<sup>®</sup> Tweel<sup>®</sup> Turf</li> </ul>

\*As rated by the engine manufacturer. Specifications are subject to change without notice.

# SUPER Z®



# HYPERDRIVE®



# DIESEL Z



AVAILABLE AT CERTIFIED DEALERS

# SUPER 104™



AVAILABLE AT CERTIFIED DEALERS

# COMPARISON

## SURFER PRO



## SUPER S<sup>®</sup>



## SUPER SF



<b>CUTTING WIDTHS</b>	34" & 48" Side-discharge	36", 48" & 52" Side-discharge	60" Side-discharge
<b>ENGINE CONFIGURATIONS</b>	<b>Kawasaki</b> 15hp* FS541	<b>Kawasaki</b> 19hp* FX600 22hp* FX691 27hp* FX850	<b>Kawasaki</b> 38.5hp* FX1000 EFI
<b>DECK HEIGHT</b>	Hand-operated. 2" to 4.75" (1/4" increments)	Hand-operated. 1.5" to 5.5" (1/4" increments)	Hand-operated. 2" to 5.5" (1/4" increments)
<b>DRIVE SYSTEM</b>	Hydro-Gear ZT-1800	<b>36"</b> : Hydro-Gear 10cc pump and Parker TL wheel motor. <b>48/52"</b> : Hydro-Gear 12cc pump and Parker TL wheel motor.	Hydro-Gear 21cc pumps and Parker TG wheel motors
<b>SPEED (FWD)</b>	Up to 6 mph	<b>36"</b> : Up to 8 mph <b>48/52"</b> : Up to 9 mph	Up to 15 mph
<b>FUEL CAPACITY</b>	2.0 US gallons	<b>36"</b> : 6.5 US gal. <b>48/52"</b> : 7.3 US gal.	13.9 US gallons
<b>ACCESSORIES</b>	<ul style="list-style-type: none"> <li>▶ Mulch kit</li> <li>▶ Mesh side bagger (3 bushels)</li> <li>▶ Light Kit</li> <li>▶ Stripe kit</li> </ul>	<ul style="list-style-type: none"> <li>▶ Mulch kit</li> <li>▶ Mesh side bagger (3 bushels)</li> <li>▶ Steel side bagger (3.5 bushels)</li> <li>▶ Light kit</li> <li>▶ Stripe kit</li> <li>▶ Trash basket</li> <li>▶ Cup holder</li> </ul>	<ul style="list-style-type: none"> <li>▶ Mulch kit</li> <li>▶ Mesh side bagger (3 bushels)</li> <li>▶ Stripe kit</li> <li>▶ Mud Flap kit</li> <li>▶ Light kit</li> </ul>

\*As rated by the engine manufacturer  
Specifications are subject to change without notice.

# TRIMSTAR®



36", 48" 54" & 60" Side-discharge

## Kawasaki

15hp\* FS541  
18.5hp\* FS600  
22hp\* FS651  
23hp\* FS691

Hand-operated.  
1.5" to 4.5" (1/4" increments)

Hydro-Gear ZT-2800®  
w/ spin-on filters.

Up to 6.3 mph

3.4 US gallons

- ▶ Mulch kit
- ▶ Mesh side bagger (3 bushels)
- ▶ Steel side bagger (3.5 bushels)
- ▶ Stripe kit
- ▶ High vacuum kit



Visit [hustlerturf.ca](http://hustlerturf.ca)  
for more specs.



Visit  
[www.hustlerdealers.com](http://www.hustlerdealers.com)  
to locate your nearest dealer.



## HUSTLER FLUID PRODUCTS

Hustler Turf's motor oil, fuel stabilizer and hydrostatic transmission oil products will help keep your machine running smoothly. Ask your local dealer about availability of these products.

# FLEET PROGRAM

The Hustler fleet program is one of the most aggressive in the industry. We value loyalty and reward our professional customers for it. To qualify you only need to purchase 1 unit.

Once you're in the program, your fleet pricing is good for a rolling 12 months.



# of Units Purchased	Fleet Discount
1 or more units	20% off MSRP

## Details & Guidelines:

- If you purchase an additional eligible unit within 12 months of the original invoice date, the same rebate % originally paid per unit will be applied.
- You can continue to extend your fleet discount with purchase of at least one eligible unit during each subsequent 12-month period.
- You retain your original bracket discount, subject to current published MSRP at the time of additional sale.
- Programs cannot be used in conjunction with other rebates or promotions unless specifically stated.

## Eligibility:

Professional Landscape Contractors who purchase 1 or more units on the same invoice

## Eligible Units:

FasTrak (2021 model and newer)  
FasTrak SDX  
X-ONE  
Super Z  
Super Z HyperDrive  
Hustler Diesel Z  
TrimStar  
Super S  
Super 104  
Super SF  
Surfer Pro



# — THE — HUSTLER MENTALITY



 Scan to View Video





# HUSTLER®

KAWASAKI IS A REGISTERED TRADEMARK OF KAWASAKI HEAVY INDUSTRIES, LTD  
VANGUARD IS A REGISTERED TRADEMARK OF BRIGGS & STRATTON CORPORATION  
MICHELIN IS THE REGISTERED TRADEMARK OF MICHELIN & CIE  
HYDRO-GEAR IS A REGISTERED TRADEMARK OF HYDRO-GEAR LTD

©2023 HUSTLER TURF EQUIPMENT

SPECIFICATIONS SUBJECT TO CHANGE WITHOUT NOTICE.  
VISIT [WWW.HUSTLERTURF.CA](http://WWW.HUSTLERTURF.CA) FOR THE MOST  
CURRENT SPECIFICATIONS. 773-10453 | 12-22

[HUSTLERTURF.CA](http://HUSTLERTURF.CA)

